

Introducing *DrugTrace* - *surface drug* *detection made simple*

Key benefits:

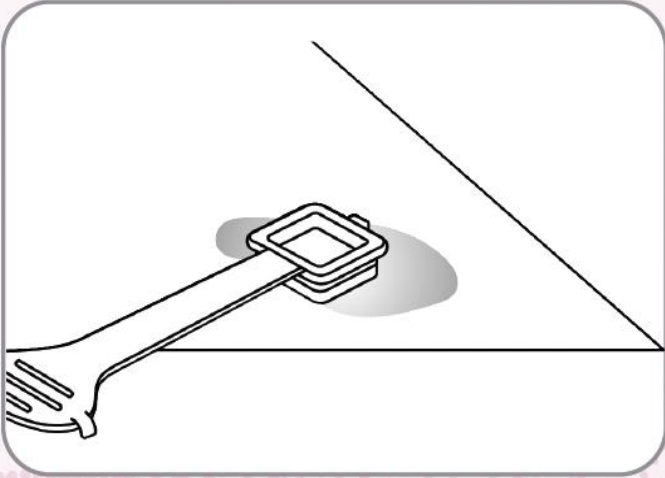
- ✓ Choose from a range of 11 available drugs
- ✓ A single test can detect up to 8 selected drugs within surface residues or powders
- ✓ Rapid results in 5 minutes
- ✓ No lab equipment required
- ✓ Ideal for use in multiple settings including prisons, workplaces and by forensic teams



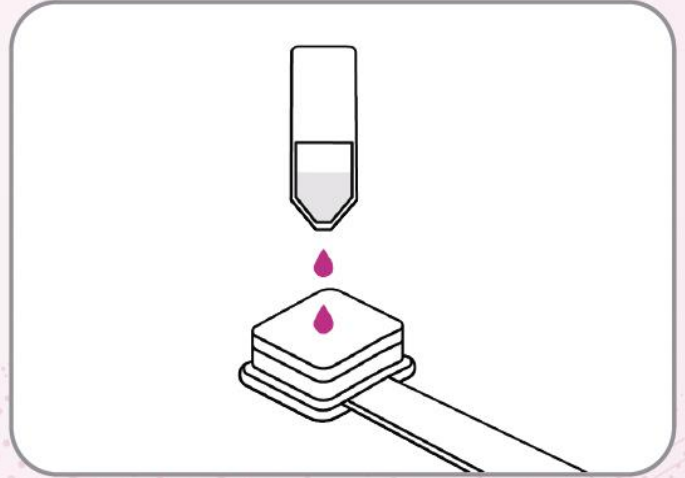
Swipe. Buffer. Detect. Done.

How it works

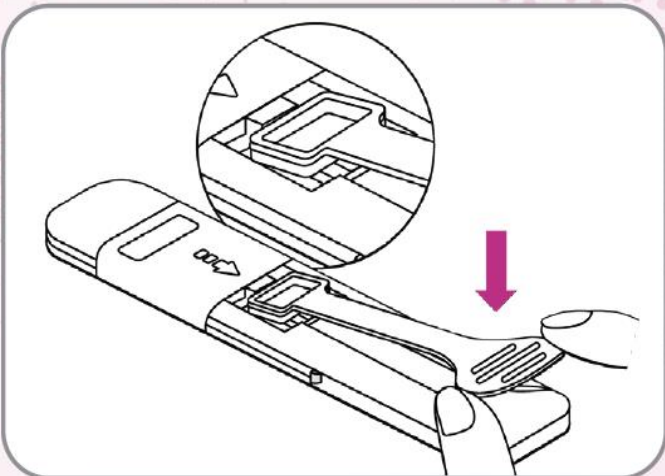
1 Swab the surface



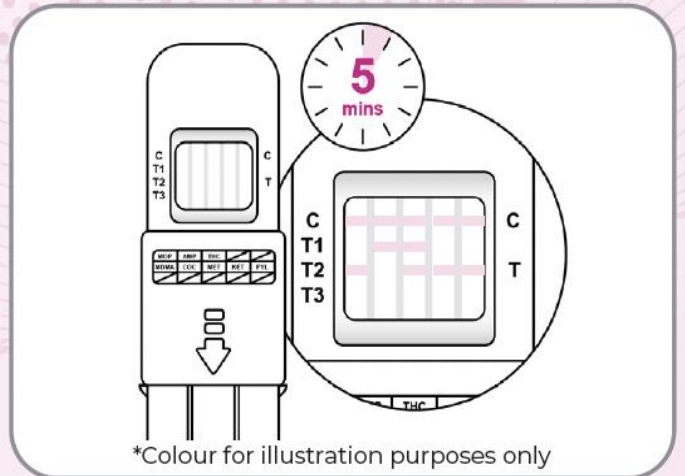
2 Apply buffer



3 Insert into cassette



4 Read results visually



*Colour for illustration purposes only

Drugs detected:

- Fentanyl & Carfentanyl
- MDMA, Methamphetamine, Amphetamine
- Opiates, Xylazine
- THC, Synthetic Marijuana (K2)
- Cocaine
- Ketamine

Applications:

Prison security

Law enforcement field testing

Workplace screening

Forensic investigations

